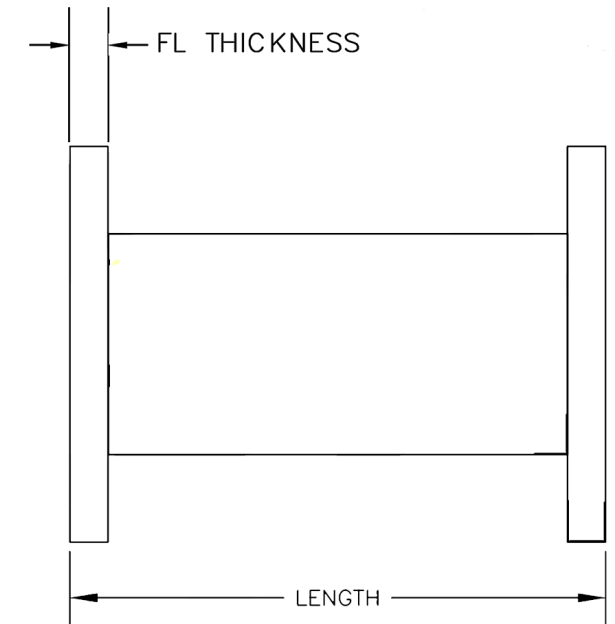
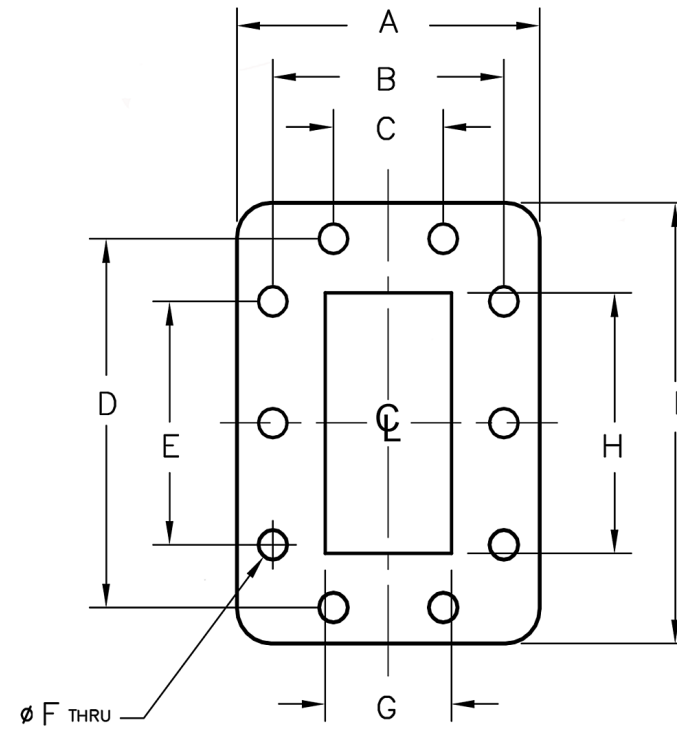


UG



CPR

Waveguide Size	Frequency	VSWR	Insertion Loss	Dim A (in)	Dim B (in)	Dim C (in)	Dim D (in)	Dim E (in)	Dim F (in)	Dim G (in)	Dim H (in)	Dim I (in)	FL Thickness (in)
WR28	26.5 - 40.0 GHz	1.06:1	0.2 dB	0.75 Sq	0.50	0.28	0.53	0.116	0.14	/	/	/	0.190
WR34	22.0-33.0 GHz	1.06:1	0.1dB	0.88 Sq	0.640	0.340	0.670	0.116	0.170	/	/	/	0.185
WR42	18.0-26.5 GHz	1.06:1	0.1 dB	0.875 Sq	0.640	0.420	0.670	0.116	0.170	/	/	/	0.185
WR62	12.4-18.0 GHz	1.03:1	0.1 dB/FT	1.31 Sq	0.99	0.620	0.96	0.144	0.31	/	/	/	0.185
WR75	10.0-15.0 GHz	1.03:1	0.1 dB/FT	1.50 Sq	1.040	0.750	1.122	0.144	0.372	/	/	/	0.203
WR90	8.2-12.4 GHz	1.03:1	0.1 dB/FT	1.63 Sq	1.22	0.900	1.280	0.169	0.40	/	/	/	0.203
WR112 (UG)	7.05-10.0 GHz	1.03:1	0.1 dB/FT	1.875 Sq	1.352	1.123	1.474	0.172	0.500	/	/	/	0.250
WR112 (CPR)	7.05-10.0 GHz	1.03:1	0.1 dB/FT	1.750	1.280	0.624	1.906	0.750	0.169	0.497	1.122	2.50	0.250
WR137	5.85-8.2 GHz	1.03:1	0.1 dB/FT	1.940	1.438	0.626	2.188	0.876	0.198	0.622	1.372	2.69	0.250
WR159	4.9-7.05 GHz	1.03:1	0.1 dB/FT	2.44	1.750	0.750	2.546	1.000	0.256	0.795	1.590	3.19	0.250
WR187 (CPR)	3.95-5.85	1.03:1	0.1 dB/FT	2.50	1.828	0.876	2.828	1.124	0.256	0.872	1.872	3.50	0.250
WR229	3.3-4.9 GHz	1.03:1	0.1dB/FT	2.75	2.100	1.000	3.240	2.140	0.256	1.145	2.290	3.87	0.250
WR284	2.6-3.95 GHz	1.03:1	0.1 dB/FT	3.00	2.326	1.156	3.828	2.562	0.256	1.340	2.840	4.50	0.250
WR340	2.2-3.3 GHz	1.03:1	0.1dB/FT	3.750	3.000	1.342	4.688	0.2688	0.266	1.700	3.400	5.440	0.380